

ASTM C297 2" BLOCKS TESTING FIXTURE

SANDWICH PANEL FLATWISE TENSILE - 2" BLOCKS



ASTM C297 2" BLOCKS TESTING FIXTURE

This test method, performs a through-the-thickness tensile test of a sandwich panel. The supports upper and lower bonding blocks, which make up the equipment, have oscillating end.

For attachment to the test machine, the fixings provided are standard connections type of DM ("male studs with diameter 0.50" 1.25 holes of the cross-pin diameter).

This test fixture utilizes 2" cube bonding blocks, as recommended by ASTM Standard C 297.

ASTM standards recommended that no less than five samples for acceptance testing, for this reason five pairs of 2" steel bonding blocks are normally supplied with each sample.

Bonding fixtures can also be supplied, to hold the specimen and blocks in alignment while each test specimen is being bonded to each pair of blocks.

Sophia High Tech S.r.l.

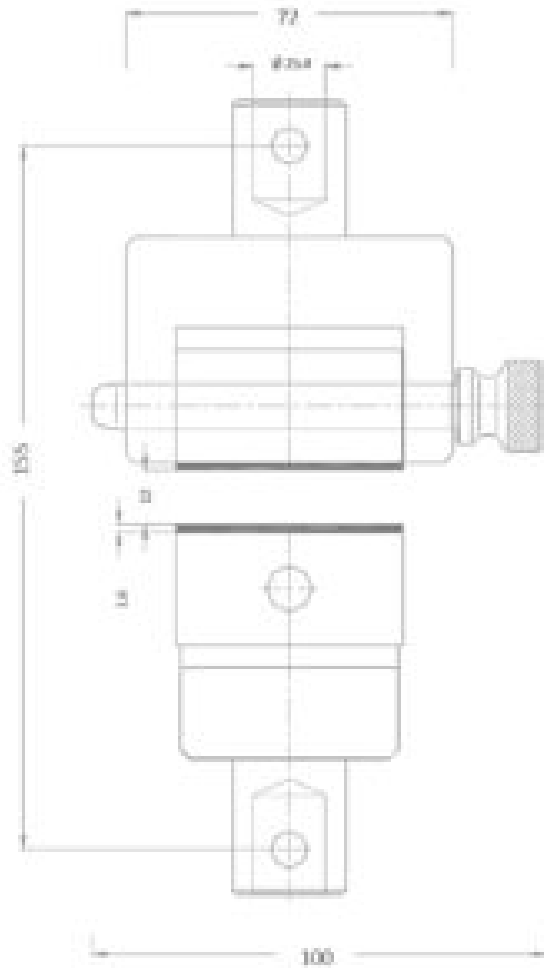
Legal Office: Viale Manzoni 113 - int.2 80040 - Poggiomarino (NA) - Italy
Headquarter: Via Romani 228, 80048 - Sant'Anastasia (NA) - Italy
Tel: +39 0823504748 **Fax:** +39 0818651210
mail: info@sophiahightech.com **P.IVA/VAT:** 07547751219
www.sophiahightech.com

Sophia CZ S.r.o.

Headquarter / Legal Office: Jičínská 226/17, Praha 3 130 00 - Czech Republic
Tel: +420 773462127
mail: info@sophiahightech.com
IC: 05617979
www.sophiahightech.com

ASTM C297 2" BLOCKS TESTING FIXTURE

SANDWICH PANEL FLATWISE TENSILE - 2" BLOCKS



ASTM C297 Testing Fixture - Drawing.jpg