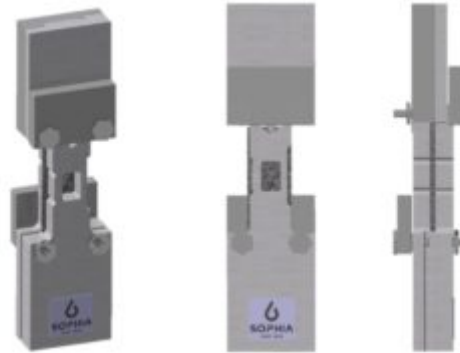


## ASTM D6484 Testing Fixture

### Open-Hole Compressive Strength of Polymer Matrix Composite Laminates



**ASTM D6484 Testing Fixture**

This test method is designed to produce notched compressive strength data for structural design allowables, material specifications, research and development, and quality assurance.

Factors that influence the notched compressive strength and shall therefore be reported include the following: material, methods of material fabrication, accuracy of lay-up, laminate stacking sequence and overall thickness, specimen geometry, (including hole diameter, diameter-to-thickness ratio, and width-to-diameter ratio), specimen preparation (especially of the hole), specimen conditioning, environment of testing, specimen alignment and gripping, loading procedure, speed of testing, time at temperature, void content, and volume percent reinforcement. Properties that may be derived from this test method include open-hole (notched) compressive strength (OHC)

#### **Sòphia High Tech S.r.l.**

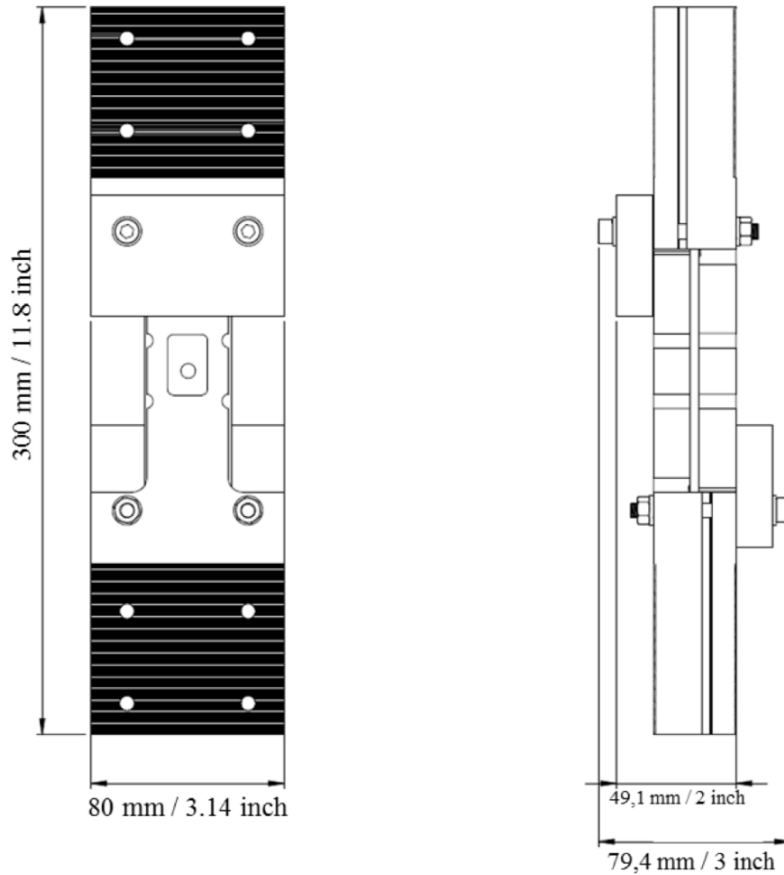
**Legal Office:** Viale Manzoni 113 - int.2 80040 - Poggiomarino (NA) - Italy  
**Headquarter:** Via Romani 228, 80048 - Sant'Anastasia (NA) - Italy  
**Tel:** +39 0823504748 **Fax:** +39 0818651210  
**mail:** [info@sophiahightech.com](mailto:info@sophiahightech.com) **P.IVA/VAT:** 07547751219  
[www.sophiahightech.com](http://www.sophiahightech.com)

#### **Sòphia CZ S.r.o.**

**Headquarter / Legal Office:** Jičínská 226/17, Praha 3 130 00 - Czech Republic  
**Tel:** +420 773462127  
**mail:** [info@sophiahightech.com](mailto:info@sophiahightech.com)  
**IC:** 05617979  
[www.sophiahightech.com](http://www.sophiahightech.com)

## ASTM D6484 Testing Fixture

### Open-Hole Compressive Strength of Polymer Matrix Composite Laminates



**ASTM D6484 TESTING FIXTURE - drawing**

<b>Test Standard</b>	ASTM D 6484 - D 6484 M / ISO 12817
<b>Maximum Load</b>	225 kN
<b>Temperature Range</b>	da -80 °C a 149 °C
<b>Specimen Thickness</b>	depending by composite
<b>Specimen Width</b>	36 mm
<b>Specimen Length</b>	300 mm
<b>Mass</b>	6.80 kg

**Sòphia High Tech S.r.l.**

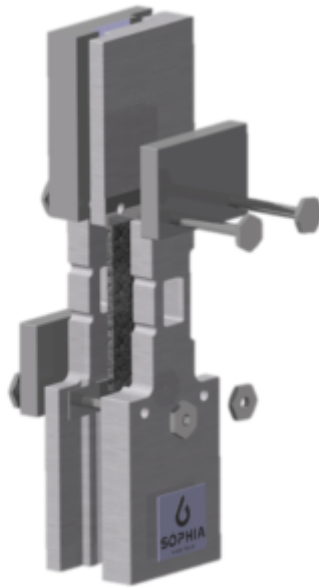
**Legal Office:** Viale Manzoni 113 - int.2 80040 - Poggiomarino (NA) - Italy  
**Headquarter:** Via Romani 228, 80048 - Sant'Anastasia (NA) - Italy  
**Tel:** +39 0823504748 **Fax:** +39 0818651210  
**mail:** info@sophiahightech.com **P.IVA/VAT:** 07547751219  
[www.sophiahightech.com](http://www.sophiahightech.com)

**Sòphia CZ S.r.o.**

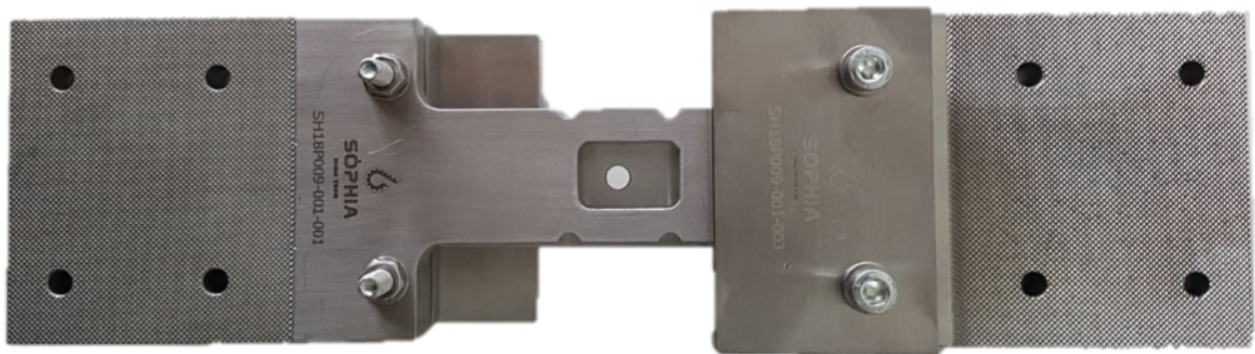
**Headquarter / Legal Office:** Jičínská 226/17, Praha 3 130 00 - Czech Republic  
**Tel:** +420 773462127  
**mail:** info@sophiahightech.com  
**IC:** 05617979  
[www.sophiahightech.com](http://www.sophiahightech.com)

## ASTM D6484 Testing Fixture

### Open-Hole Compressive Strength of Polymer Matrix Composite Laminates



ASTM D6484 Testing Fixture - Assembly



ASTM D6484 Testing Fixture - Application

#### Additional Information:

ASTM D6484 / D6484M-14, Standard Test Method for Open-Hole Compressive Strength of Polymer Matrix Composite Laminates, ASTM International, West Conshohocken, PA, 2014.

#### ↳ Sophia High Tech S.r.l.

**Legal Office:** Viale Manzoni 113 - int.2 80040 - Poggiomarino (NA) - Italy  
**Headquarter:** Via Romani 228, 80048 - Sant'Anastasia (NA) - Italy  
**Tel:** +39 0823504748 **Fax:** +39 0818651210  
**mail:** [info@sophiahightech.com](mailto:info@sophiahightech.com) **P.IVA/VAT:** 07547751219  
[www.sophiahightech.com](http://www.sophiahightech.com)

#### ↳ Sophia CZ S.r.o.

**Headquarter / Legal Office:** Jičínská 226/17, Praha 3 130 00 - Czech Republic  
**Tel:** +420 773462127  
**mail:** [info@sophiahightech.com](mailto:info@sophiahightech.com)  
**IC:** 05617979  
[www.sophiahightech.com](http://www.sophiahightech.com)

## ASTM D6484 Testing Fixture

## Open-Hole Compressive Strength of Polymer Matrix Composite Laminates

### Referenced Documents:

ASTM Standards:

D792 Test Methods for Density and Specific Gravity (Relative Density) of Plastics by Displacement

D883 Terminology Relating to Plastics

D2584 Test Method for Ignition Loss of Cured Reinforced Resins

D2734 Test Methods for Void Content of Reinforced Plastics

D3039/D3039M Test Method for Tensile Properties of Polymer Matrix Composite Materials

D3171 Test Methods for Constituent Content of Composite Materials

D3878 Terminology for Composite Materials

D5229/D5229M Test Method for Moisture Absorption Properties and Equilibrium Conditioning of Polymer Matrix Composite Materials

D5687/D5687M Guide for Preparation of Flat Composite Panels with Processing Guidelines for Specimen Preparation

E4 Practices for Force Verification of Testing Machines

E6 Terminology Relating to Methods of Mechanical Testing

E83 Practice for Verification and Classification of Extensometer Systems

E122 Practice for Calculating Sample Size to Estimate, With Specified Precision, the Average for a Characteristic of a Lot or Process

E177 Practice for Use of the Terms Precision and Bias in ASTM Test Methods

E456 Terminology Relating to Quality and Statistics

E691 Practice for Conducting an Interlaboratory Study to Determine the Precision of a Test Method

E1309 Guide for Identification of Fiber-Reinforced Polymer-Matrix Composite Materials in Databases

E1434 Guide for Recording Mechanical Test Data of Fiber-Reinforced Composite Materials in Databases

E1471 Guide for Identification of Fibers, Fillers, and Core Materials in Computerized Material Property Databases

### Sòphia High Tech S.r.l.

**Legal Office:** Viale Manzoni 113 - int.2 80040 - Poggiomarino (NA) - Italy  
**Headquarter:** Via Romani 228, 80048 - Sant'Anastasia (NA) - Italy  
**Tel:** +39 0823504748 **Fax:** +39 0818651210  
**mail:** [info@sophiahightech.com](mailto:info@sophiahightech.com) **P.IVA/VAT:** 07547751219  
[www.sophiahightech.com](http://www.sophiahightech.com)

### Sòphia CZ S.r.o.

**Headquarter / Legal Office:** Jičínská 226/17, Praha 3 130 00 - Czech Republic  
**Tel:** +420 773462127  
**mail:** [info@sophiahightech.com](mailto:info@sophiahightech.com)  
**IC:** 05617979  
[www.sophiahightech.com](http://www.sophiahightech.com)