

ASTM D1781 TESTING FIXTURE

CLIMBING DRUM PEEL FOR ADHESIVES



ASTM D1781 Testing Fixture

This procedure is useful for the determination of the peel resistance of adhesive bonds adhering a relatively flexible and adhering rigid; and the relatively flexible coating of a sandwich structure and its nucleus, to the test under the specified conditions.

This standard does not purport to address all of the safety concerns, if any, associated with its use. It is the responsibility of the user of this standard to establish appropriate safety and health practices and determine the applicability of regulatory limitations prior to use.

Sòphia High Tech S.r.l.

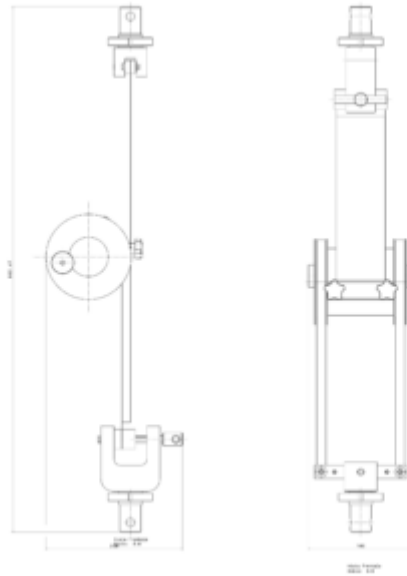
Legal Office: Viale Manzoni 113 - int.2 80040 - Poggiomarino (NA) - Italy
Headquarter: Via Romani 228, 80048 - Sant'Anastasia (NA) - Italy
Tel: +39 0823504748 **Fax:** +39 0818651210
mail: info@sophiahightech.com **P.IVA/VAT:** 07547751219
www.sophiahightech.com

Sòphia CZ S.r.o.

Headquarter / Legal Office: Jičínská 226/17, Praha 3 130 00 - Czech Republic
Tel: +420 773462127
mail: info@sophiahightech.com
IC: 05617979
www.sophiahightech.com

ASTM D1781 TESTING FIXTURE

CLIMBING DRUM PEEL FOR ADHESIVES



ASTM D 1781 Testing Fixture - Drawing

Sòphia High Tech S.r.l.

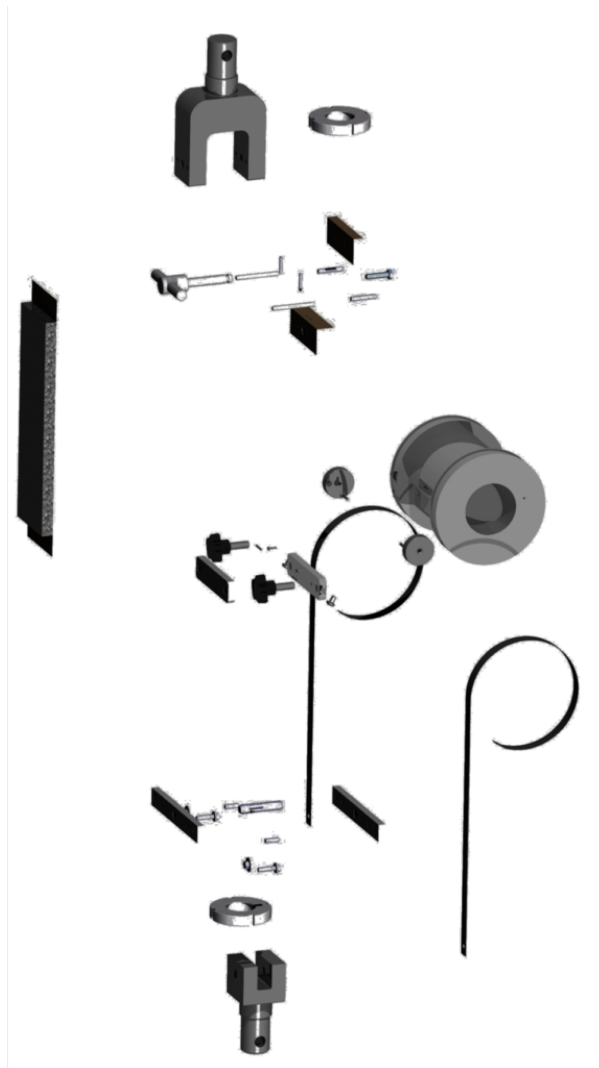
Legal Office: Viale Manzoni 113 - int.2 80040 - Poggiomarino (NA) - Italy
Headquarter: Via Romani 228, 80048 - Sant'Anastasia (NA) - Italy
Tel: +39 0823504748 **Fax:** +39 0818651210
mail: info@sophiahightech.com **P.IVA/VAT:** 07547751219
www.sophiahightech.com

Sòphia CZ S.r.o.

Headquarter / Legal Office: Jičínská 226/17, Praha 3 130 00 - Czech Republic
Tel: +420 773462127
mail: info@sophiahightech.com
IC: 05617979
www.sophiahightech.com

ASTM D1781 TESTING FIXTURE

CLIMBING DRUM PEEL FOR ADHESIVES



ASTM D 1781 Testing Fixture - Assembly

Referenced Documents

ASTM B209 Specification for Aluminum and Aluminum-Alloy Sheet and Plate

ASTM D907 Terminology of Adhesives

ASTM E4 Practices for Force Verification of Testing Machines).

Sophia High Tech S.r.l.

Legal Office: Viale Manzoni 113 - int.2 80040 - Poggiomarino (NA) - Italy
Headquarter: Via Romani 228, 80048 - Sant'Anastasia (NA) - Italy
Tel: +39 0823504748 **Fax:** +39 0818651210
mail: info@sophiahightech.com **P.IVA/VAT:** 07547751219
www.sophiahightech.com

Sophia CZ S.r.o.

Headquarter / Legal Office: Jičínská 226/17, Praha 3 130 00 - Czech Republic
Tel: +420 773462127
mail: info@sophiahightech.com
IC: 05617979
www.sophiahightech.com

ASTM D1781 TESTING FIXTURE

CLIMBING DRUM PEEL FOR ADHESIVES



ASTM D1781 Testing Fixture

Additional Information:

Test Standard	ASTM D 1781 / no ISO equivalent
Maximum Load	2.2 kN
Temperature Range	da -80 °C a 149 °C
Specimen Thickness	up to 13 mm
Specimen Width	45 mm
Specimen Length	254 mm
Mass	15.90 kg

Sophia High Tech S.r.l.

Legal Office: Viale Manzoni 113 - int.2 80040 - Poggiomarino (NA) - Italy
Headquarter: Via Romani 228, 80048 - Sant'Anastasia (NA) - Italy
Tel: +39 0823504748 **Fax:** +39 0818651210
mail: info@sophiahightech.com **P.IVA/VAT:** 07547751219
www.sophiahightech.com

Sophia CZ S.r.o.

Headquarter / Legal Office: Jičínská 226/17, Praha 3 130 00 - Czech Republic
Tel: +420 773462127
mail: info@sophiahightech.com
IC: 05617979
www.sophiahightech.com