

ASTM D7269 TESTING FIXTURE

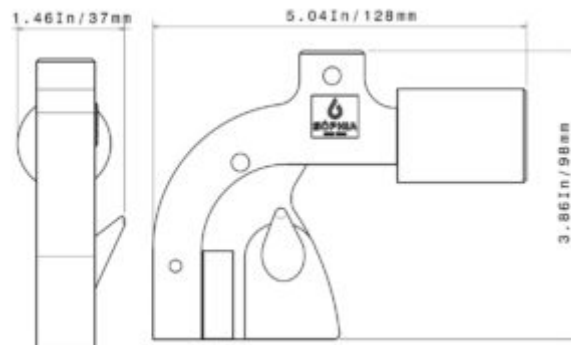
TENSILE TESTING OF ARAMID YARNS



ASTM D7269 Testing Fixture

These test methods cover the tensile testing of aramid threads, twisted cables from these yarns and fabrics from these cables. The yarn or cord can be wound on cones, tubes, coils, chokes, or beams; It can be woven into fabric; or they can be realized in some other form. The methods include test procedures and include no specifications or tolerances.

The age and history of the sample and the specific conditions used during testing, influence levels of tensile properties obtained during testing of aramid yarns and cordes. Among these conditions are very important: elongation rate, type of clamps, gauge length of the specimen, the temperature and the humidity of the atmosphere, air flow rate through the specimen, and the temperature and moisture content of the specimen. Conditions accordingly trial are specified precisely to obtain reproducible test results on a specific sample.



ASTM D 7269 Testing Fixture - Drawing

Test Standard	ASTM D 7269 / no ISO equivalent
Temperature Range	da -150 °C a 316 °C
Specimen Thickness	See Designation D 7269
Specimen Width	See Designation D 7269
Specimen Length	See Designation D 7269
Mass	1.0 kg

Sòphia High Tech S.r.l.

Legal Office: Viale Manzoni 113 - int.2 80040 - Poggiomarino (NA) - Italy
Headquarter: Via Romani 228, 80048 - Sant'Anastasia (NA) - Italy
Tel: +39 0823504748 **Fax:** +39 0818651210
mail: info@sophiahightech.com **P.IVA/VAT:** 07547751219
www.sophiahightech.com

Sòphia CZ S.r.o.

Headquarter / Legal Office: Jičínská 226/17, Praha 3 130 00 - Czech Republic
Tel: +420 773462127
mail: info@sophiahightech.com
IC: 05617979
www.sophiahightech.com

ASTM D7269 TESTING FIXTURE

TENSILE TESTING OF ARAMID YARNS



ASTM D 7269 Testing Fixture - Assembly



ASTM D 7269 Testing Fixture - Application

Referenced Documents

ASTM Standards

D76 Specification for Tensile Testing Machines for Textiles

D123 Terminology Relating to Textiles

Sòphia High Tech S.r.l.

Legal Office: Viale Manzoni 113 - int.2 80040 - Poggiomarino (NA) - Italy
Headquarter: Via Romani 228, 80048 - Sant'Anastasia (NA) - Italy
Tel: +39 0823504748 **Fax:** +39 0818651210
mail: info@sophiahightech.com **P.IVA/VAT:** 07547751219
www.sophiahightech.com

Sòphia CZ S.r.o.

Headquarter / Legal Office: Jičínská 226/17, Praha 3 130 00 - Czech Republic
Tel: +420 773462127
mail: info@sophiahightech.com
IC: 05617979
www.sophiahightech.com

ASTM D7269 TESTING FIXTURE

TENSILE TESTING OF ARAMID YARNS

D1776 Practice for Conditioning and Testing Textiles

D1907 Test Method for Linear Density of Yarn (Yarn Number) by the Skein Method

D1909 Standard Table of Commercial Moisture Regains for Textile Fibers

D2258 Practice for Sampling Yarn for Testing

D4848 Terminology Related to Force, Deformation and Related Properties of Textiles

D6587 Test Method for Yarn Number Using Automatic Tester

Sòphia High Tech S.r.l.

Legal Office: Viale Manzoni 113 - int.2 80040 - Poggiomarino (NA) - Italy
Headquarter: Via Romani 228, 80048 - Sant'Anastasia (NA) - Italy
Tel: +39 0823504748 **Fax:** +39 0818651210
mail: info@sophiahightech.com **P.IVA/VAT:** 07547751219
www.sophiahightech.com

Sòphia CZ S.r.o.

Headquarter / Legal Office: Jičínská 226/17, Praha 3 130 00 - Czech Republic
Tel: +420 773462127
mail: info@sophiahightech.com
IC: 05617979
www.sophiahightech.com